



ideal Lighting Systems Pvt. Ltd.

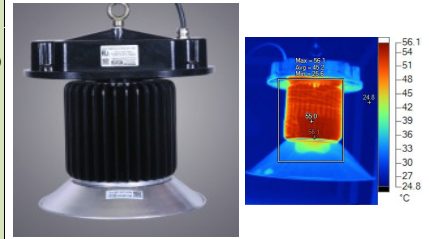


PRODUCT SPECIFICATIONS

PRODUCT NAME	LED Weather Proof Bay Light - Economical	Doc No. - ILS/WP/SPC-89/00
PRODUCT CODE	WPHBECO-100-XX-YY	Date : 01.04.2016

Characteristics		Std. Value		
LUMINARIES	Luminaries wattage	100 Watt		
	Input Voltage	230 V		
	Input Frequency	50 H ₂		
	Input Current	0.6A		
	Power Factor	> 0.95		
	Athd.	CLASS C		
	Efficiency	91%		
	Light Spreading Angle	60°/ 90°/ 120°		
	Temperature Class	T6		
	IP Standard	IP65		
	Total Weight	3.70 Kg		
	Starting Time	Rapid (0.2 Sec)		
	Guarantee	5 Years including FLUX/CCT/CRI		
LED LAMP MAKE – CITIZEN JAPAN	Model No	CLU048 - 1818		
	LED type / No of LED Lamp	COB/ Single Lamp		
	Total Lumen @Tc 25°C	14132	14819	14250
	Lumen Efficacy (Lm/ Watt)	157 lm/W	165 lm/W	158 lm/W
	CCT / Color Rendering index	3000K / RA 70	5000K / RA 70	6500K / RA 80
	SP Ratio	2-2.25		
	MacAdam Ellipse Stage	STEP 3		
	LED -Wattage/Current/Voltage	90W / 1673ma/ 53.8 V @Tc 25°C		
	Lamp Life	1,00,000 Hours Min.		
	Certifications / Reports	LM70, LM80/Photo Bio. Test / Vibration Test		
	Identification Feature	Unique Serial No. Printed on each Lamp		
	Actual Test Report of CITIZEN LED Lamp	Actual Operating test Report for 63,000Hrs		
	LED DRIVER MAKE - MEANWELL	Model No	ELG-100-54	
Type of Driver		Constant Current (CC)		
Input Voltage Range		100VAC ~ 305 VAC		
Frequency Range		47 ~ 63Hz		
Inrush current		COLD START 60A		
Leakage current		< 0.75 mA / 240VAC		
Output Protection		Short Circuit, Over Voltage,Over Temperature.		
Withstand Voltage		I/P-0/P:3.75K VAC Min.		
Surge Protection		L-N :4KV , L-N-E: 6KV		
MTBF /DMTBF	282.9K HRS Min / 50,000 HRS @ TCASE 70°C			
Capacitor Life Cycle	48560 HRS @ 50°C			
OPTICS	Optics Type	Glass Lens / Diffuser		
	MOC of Optics	Borosilicate Glass		
FIXTURE \ HEAT SINK	Make of Fixture	ILS Pvt.Ltd.		
	Heat Sink Make	ILS (Own Design)		
	MOC – Heat Sink	Aluminum Extrusion - LM 06		
	Junction Temperature -T _J	75°C		
	Case Temperature- T _C	60°C		

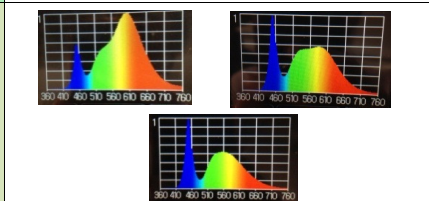
Product Photograph & Thermal Image



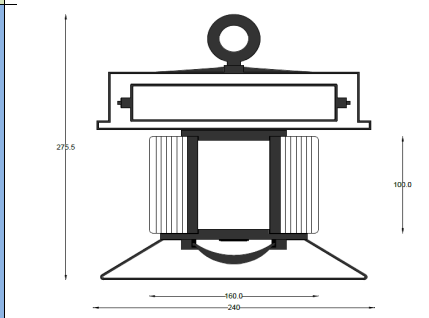
Reference Documents

1. Power Analyser Report With Harmonics
2. Electrical Efficiency Reprt
3. Spectroradiometric Test Report
4. TRT Report
5. LM 79 Report
6. IP 65 Test Report
7. LM 70, LM 80 Report

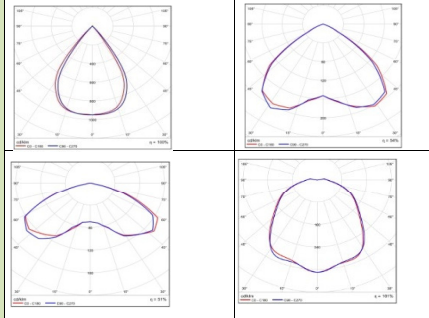
LED Spectrum



Schematic Drawing



Light Distribution Diagram



Actual Test result

SERIAL NO.		ILS-4020188				
Mfg Date		11-01-2016.10:18:02 PM				
LED SR. No.		F14530518155				
DRIVER SR. NO.		HB42A79159				
Input	V	A	HZ	W	VA	PF
	241.02	0.439	50	101.58	105.81	0.96
Output	DC.V	DC.A	DC.W	EFF	THD	
	54.82	1.664	91.20	89.79	C class	

ILS SPECIALITY : This Fixture is having Lowest Thermal Resistance and single optics. ILS products are having Precise Thermal Management for longer life and Precise light spreading angle for required illumination.

Prepared By	Reviewed By	Approved By