



ideal Lighting Systems Pvt. Ltd.



PRODUCT SPECIFICATIONS

PRODUCT NAME	LED Weather Proof Surface Light	Doc No. - ILS/WP/SPC-73/00
PRODUCT CODE	WPSMLFG-20-XX-YY	Date : 01.04.2016

Characteristics

Characteristics	Std. Value
Luminaries wattage	20 Watt
Input Voltage	230 V
Input Frequency	50 Hz
Input Current	0.4 A
Power Factor	NA
Athd.	CLASS A
Efficiency	83%
Light Spreading Angle	120°
Temperature Class	T6
IP Standard	IP65
Total Weight	1.46 Kg
Starting Time	Rapid (0.2 Sec)
Guarantee	2 Years including FLUX/CCT/CRI

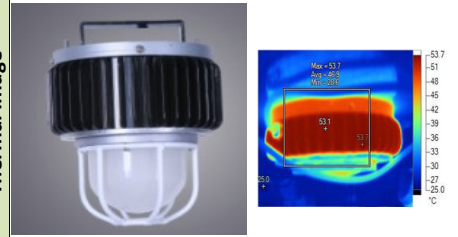
LED LAMP	MAKE - CITIZEN JAPAN
Model No	CLU038 - 1206
LED type / No of LED Lamp	COB/ Single Lamp
Total Lumen @Tc 25°C	2995 3141 3018
Lumen Efficacy (Lm/ Watt)	167 lm/W 175lm/W 168 lm/W
CCT / Color Rendering index	3000K / RA 70 5000K / RA 70 6500K / RA 80
SP Ratio	2-2.25
MacAdam Ellipse Stage	STEP 3
LED -Wattage/Current/Voltage	18W / 505ma/ 35.6V @Tc 25°C
Lamp Life	1,00,000 Hours Min.
Certifications / Reports	LM70, LM80/Photo Bio. Test / Vibration Test
Identification Feature	Unique Serial No. Printed on each Lamp
Actual Test Report of CITIZEN LED Lamp	Actual Operating test Report for 63,000Hrs

LED DRIVER MAKE - MEANWELL	
Model No	APC-25-500
Type of Driver	Constant Current (CC)
Input Voltage Range	90VAC ~ 264 VAC
Frequency Range	47 ~ 63Hz
Inrush current	COLD START 45A
Leakage current	< 0.25 mA / 240VAC
Output Protection	Over Voltage
Withstand Voltage	I/P-0/P:3.75K VAC
Surge Protection	L-N :2KV
MTBF /DMTBF	518.9K HRS Min / 50,000 HRS @ TCASE 60°C
Capacitor Life Cycle	48617 HRS @ 40°C

OPTICS	
Optics Type	Glass Diffuser
MOC of Optics	Borosilicate Diffused Glass

FIXTURE \ HEAT SINK	
Make of Fixture	ILS Pvt. Ltd.
Heat Sink Make	ILS (Own Design)
MOC – Heat Sink	Aluminum Extrusion - LM 06
Junction Temperature -T _J	71°C
Case Temperature- T _C	60°C

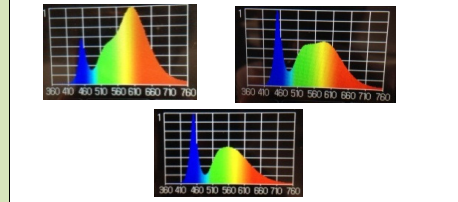
Product Photograph & Thermal Image



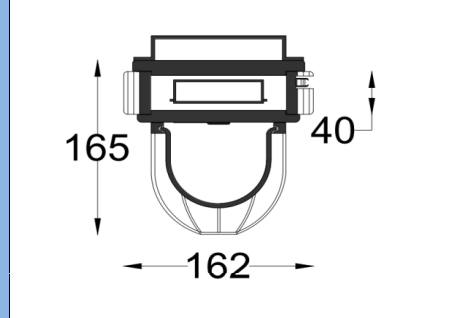
Reference Documents

1. Power Analyser Report With Harmonics
2. Electrical Efficiency Reprt
3. Spectroradiometric Test Report
4. TRT Report
5. LM 79 Report
6. IP 65 Test Report
7. LM 70, LM 80 Report

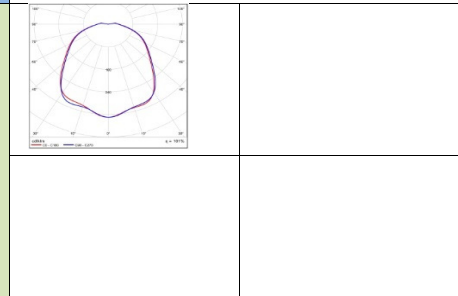
LED Spectrum



Schematic Drawing



Light Distribution Diagram



Actual Test Result

SERIAL NO.	ILS-4020144					
Mfg Date	11-01-2016.1:48:45 PM					
LED SR. No.	F14530518915					
DRIVER SR. NO.	HB42A79119					
Input	V	A	HZ	W	VA	PF
	241.05	0.210	50	21.77	50.62	0.43
Output	DC.V	DC.A	DC.W	EFF	THD	
	36.88	0.490	18.06	82.97	A class	

ILS SPECIALITY : This Fixture is having Lowest Thermal Resistance and single optics. ILS products are having Precise Thermal Management for longer life and Precise light spreading angle for required illumination.

Prepared By	Reviewed By	Approved By